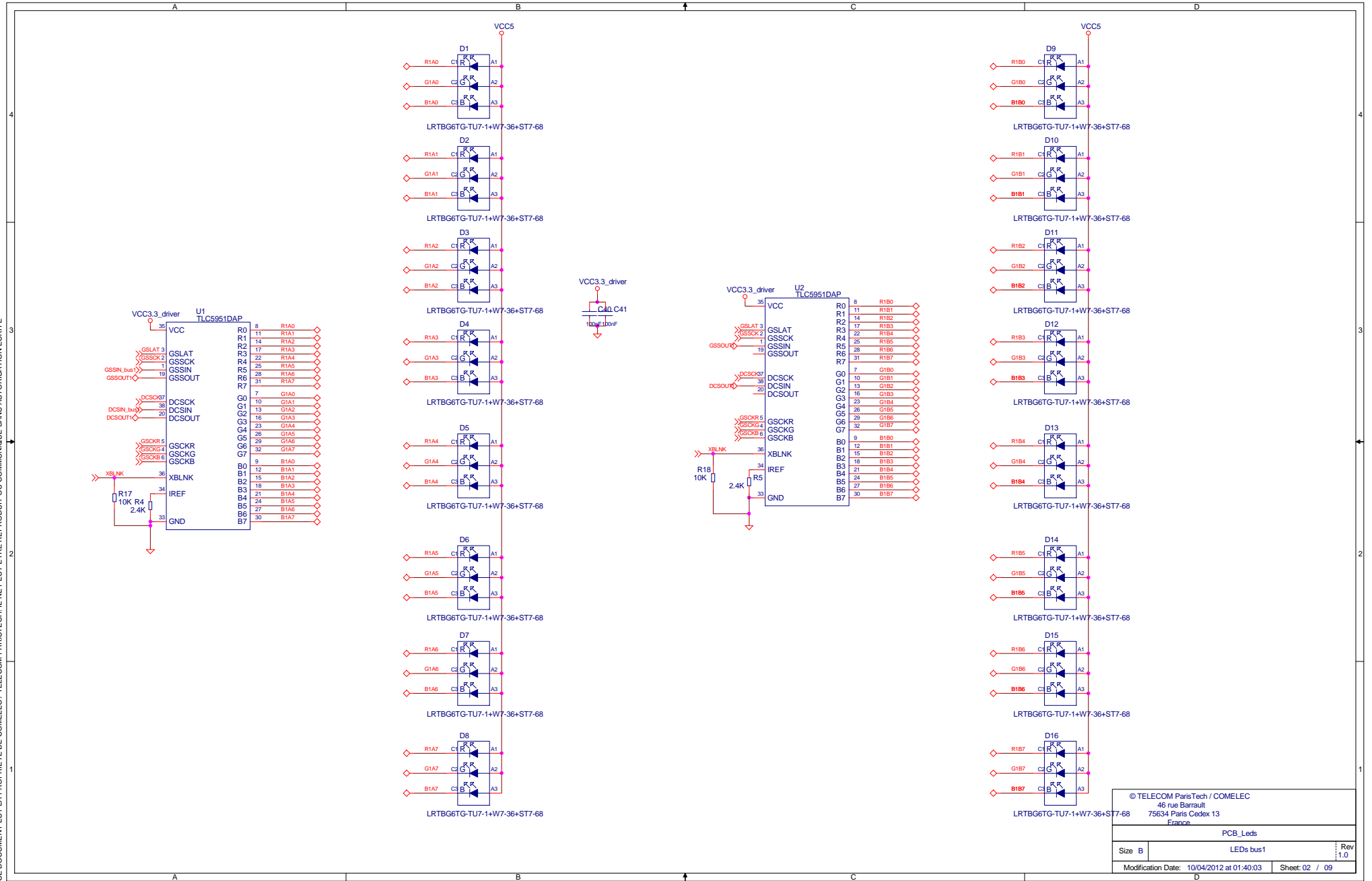


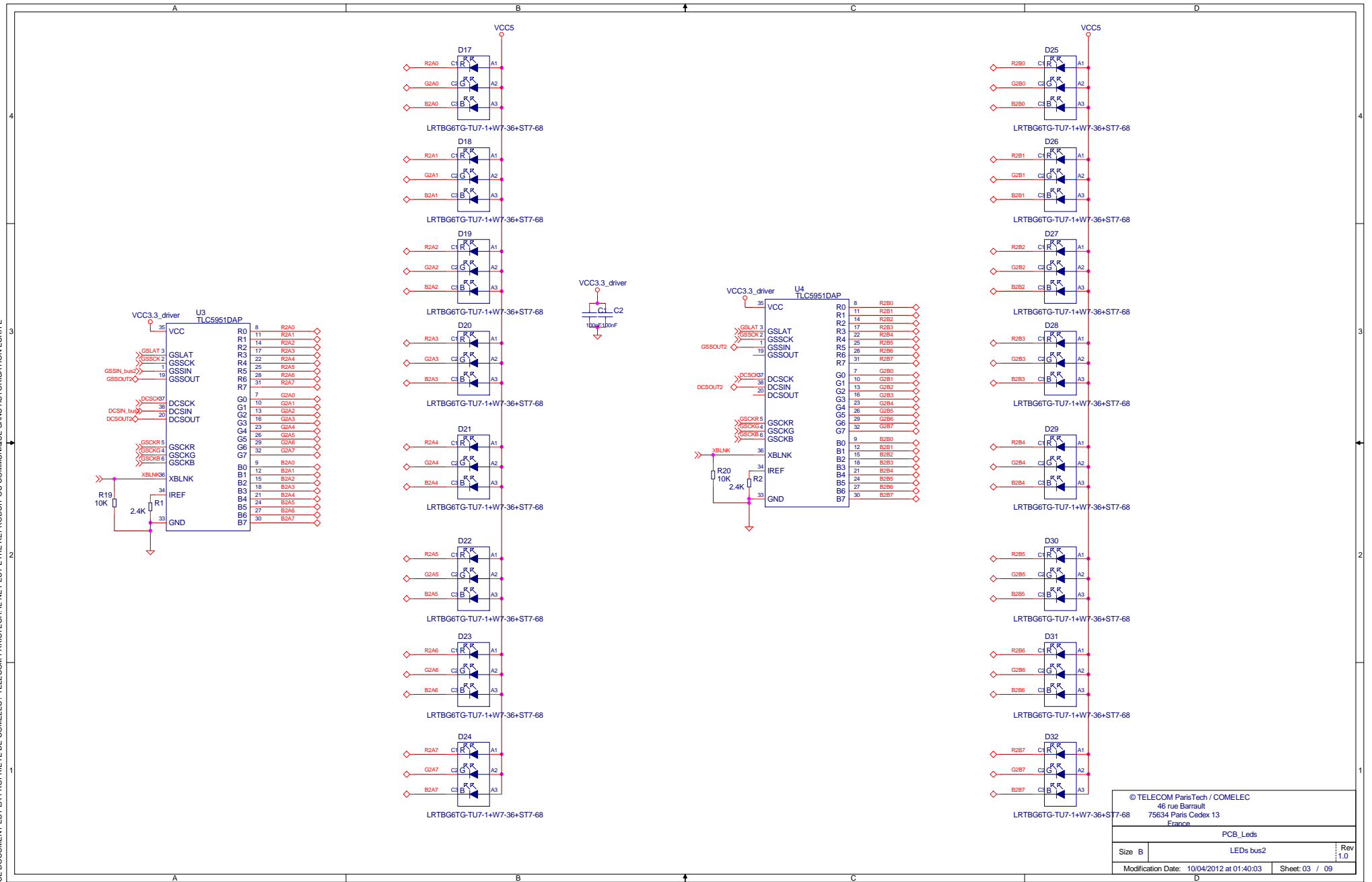
© TELECOM ParisTech / COMELEC
 46 rue Barrault
 75634 Paris Cedex 13
 France

PCB_Leds

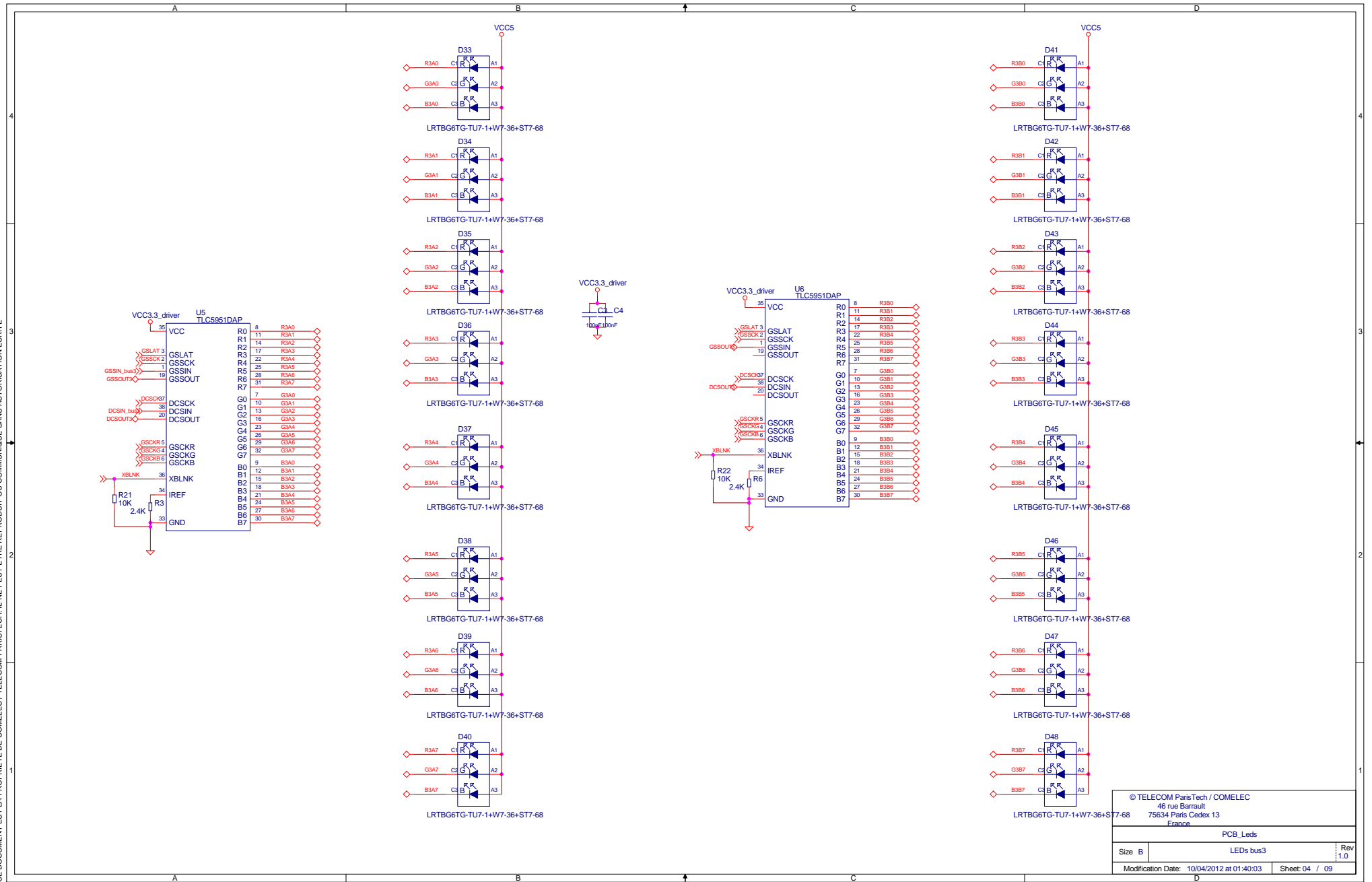
Size A	Communication	Rev 1.0
Modification Date: 10/04/2012 at 01:40:03		Sheet: 01 / 09



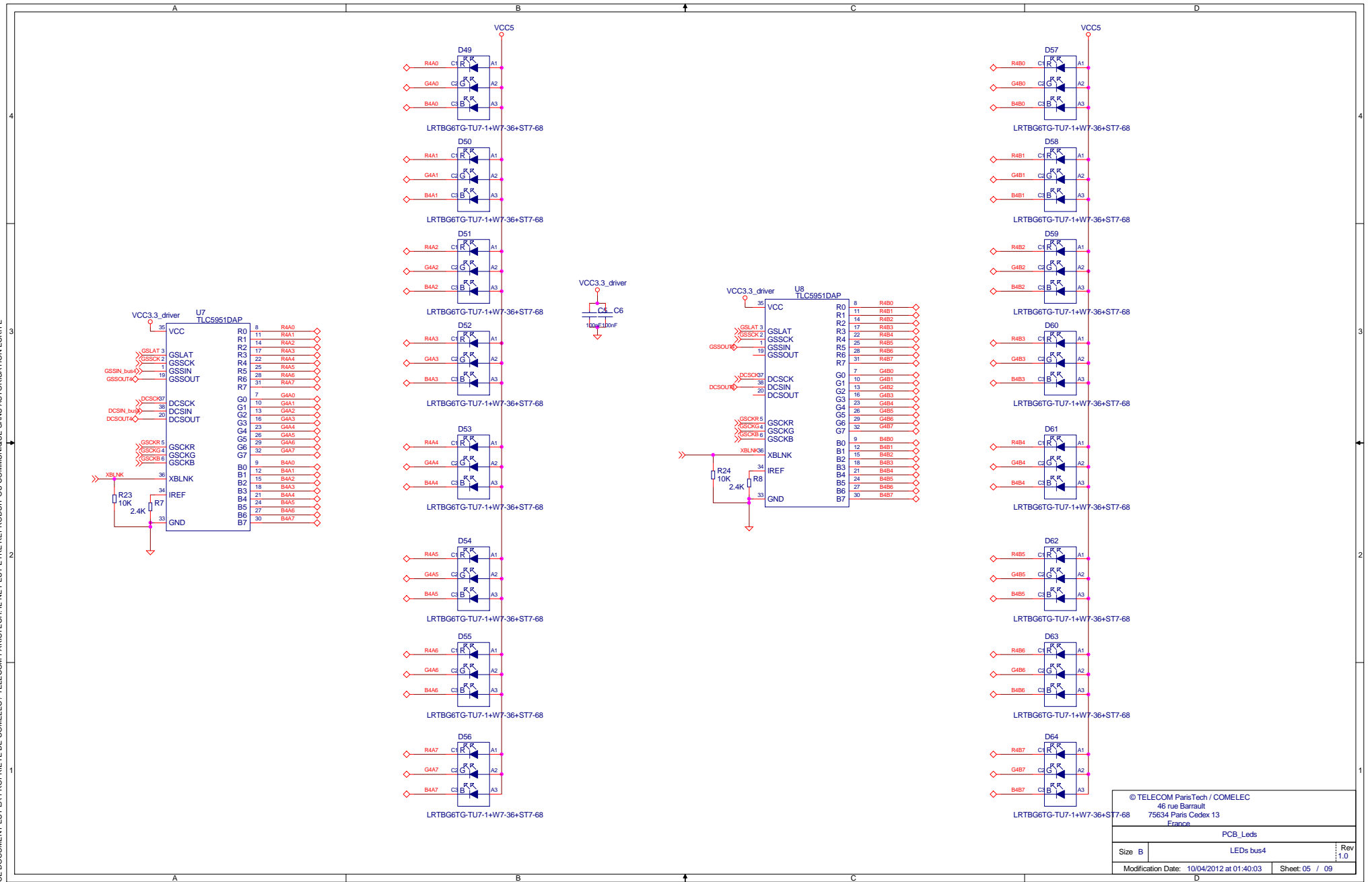
© TELECOM ParisTech / COMELEC 46 rue Barrault 75634 Paris Cedex 13 France		
PCB_Leds		
Size B	LEDs bus1	Rev : 1.0
Modification Date: 10/04/2012 at 01:40:03		Sheet: 02 / 09



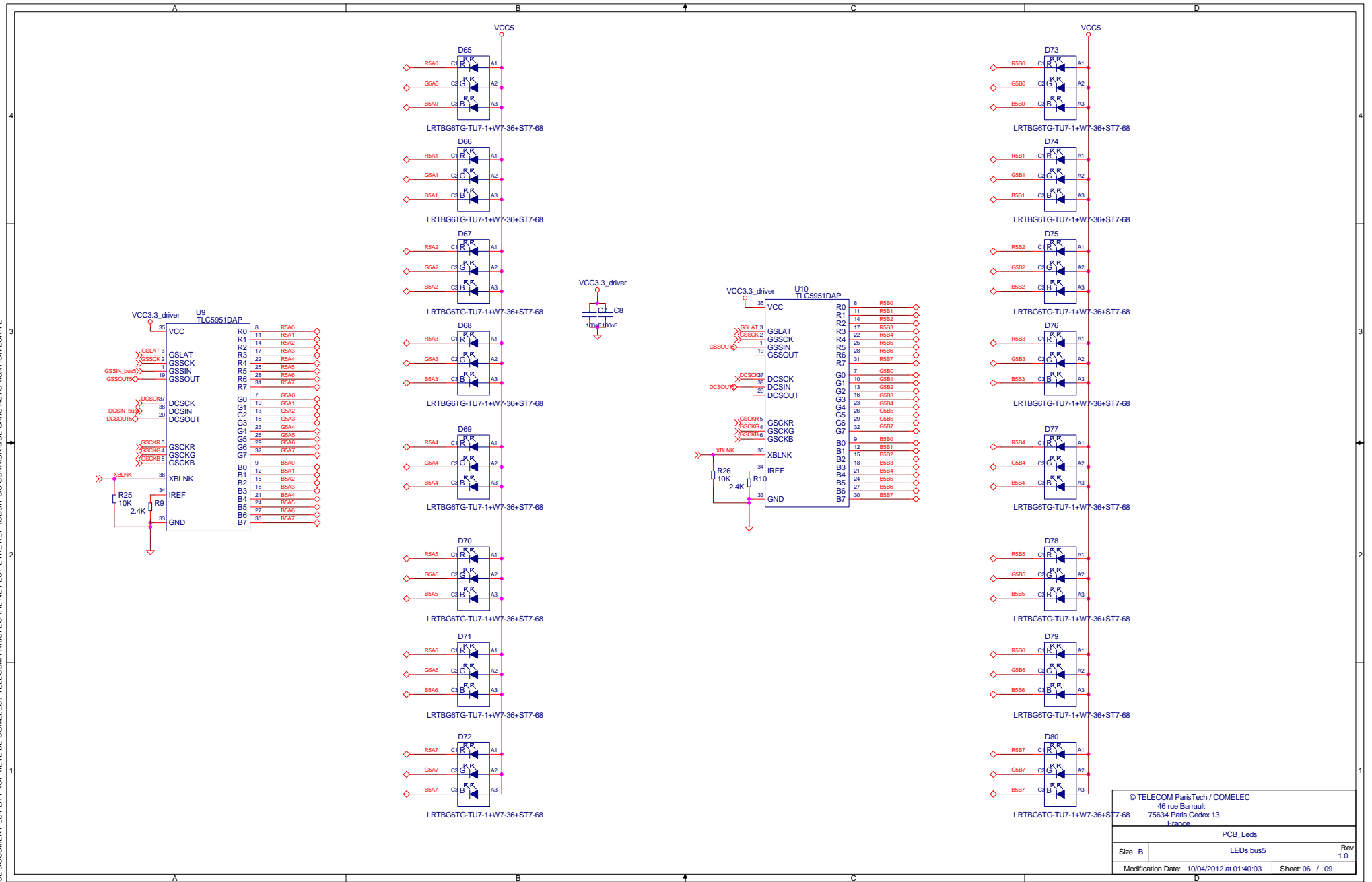
© TELECOM ParisTech / COMELEC 46 rue Barrault 75634 Paris Cedex 13 France		
PCB_Leds		
Size B	LEDs bus2	Rev : 1.0
Modification Date: 10/04/2012 at 01:40:03		Sheet: 03 / 09



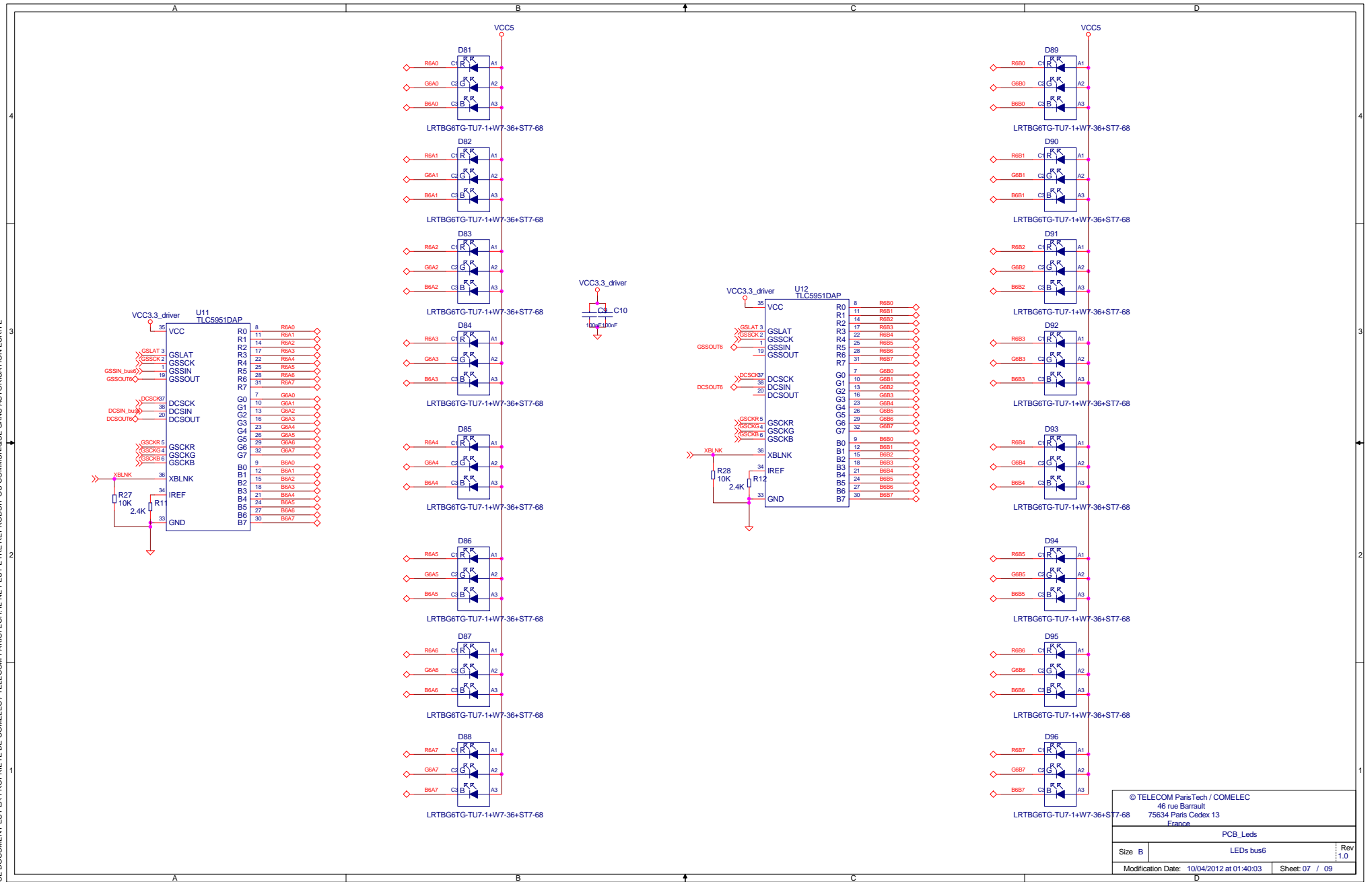
© TELECOM ParisTech / COMELEC 46 rue Barrault 75634 Paris Cedex 13 France		
PCB_Leds		
Size B	LEDs bus3	Rev : 1.0
Modification Date: 10/04/2012 at 01:40:03		Sheet: 04 / 09



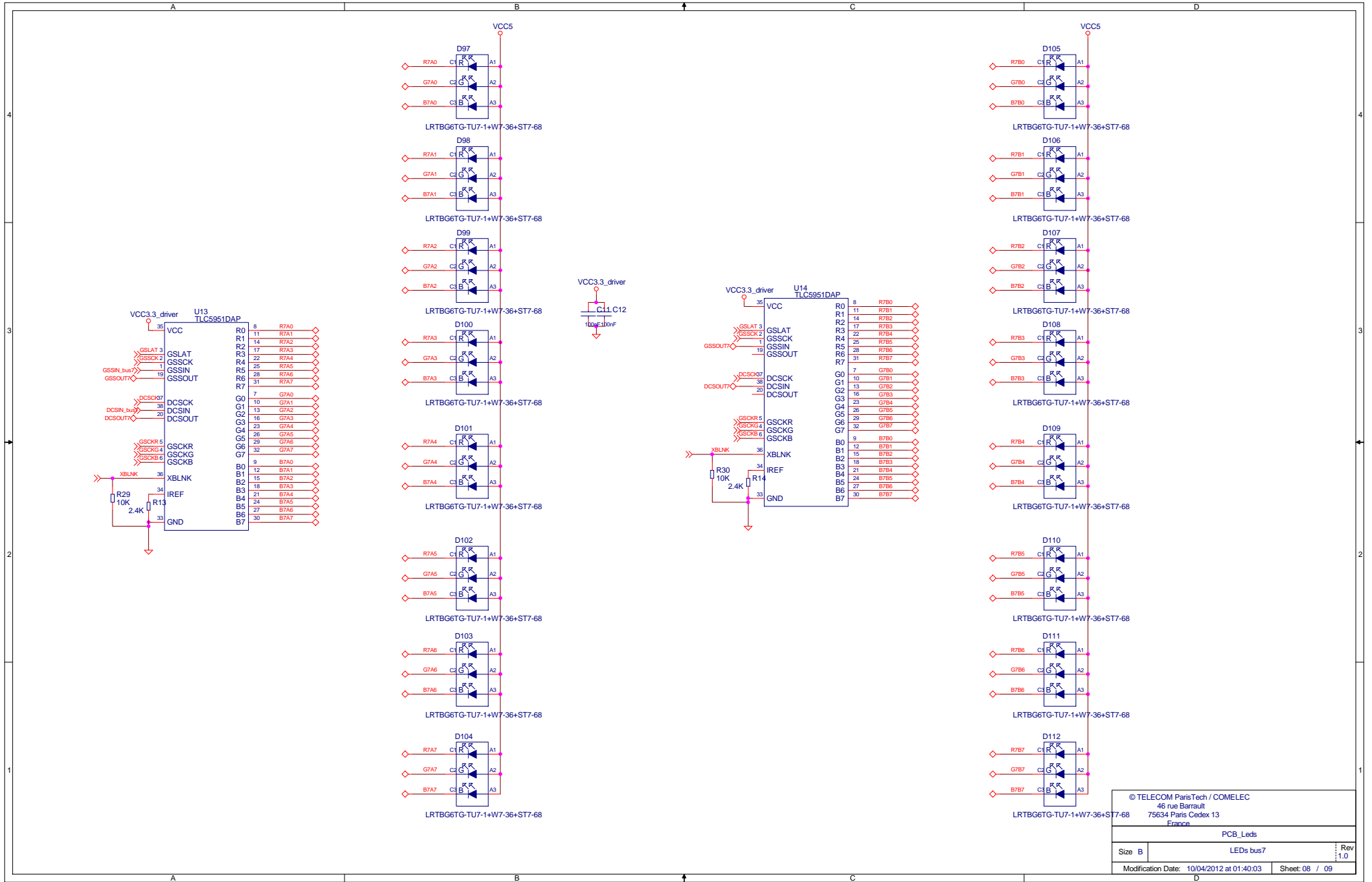
© TELECOM ParisTech / COMELEC 46 rue Barrault 75634 Paris Cedex 13 France		
PCB_Leds		
Size B	LEDs bus4	Rev : 1.0
Modification Date: 10/04/2012 at 01:40:03		Sheet: 05 / 09



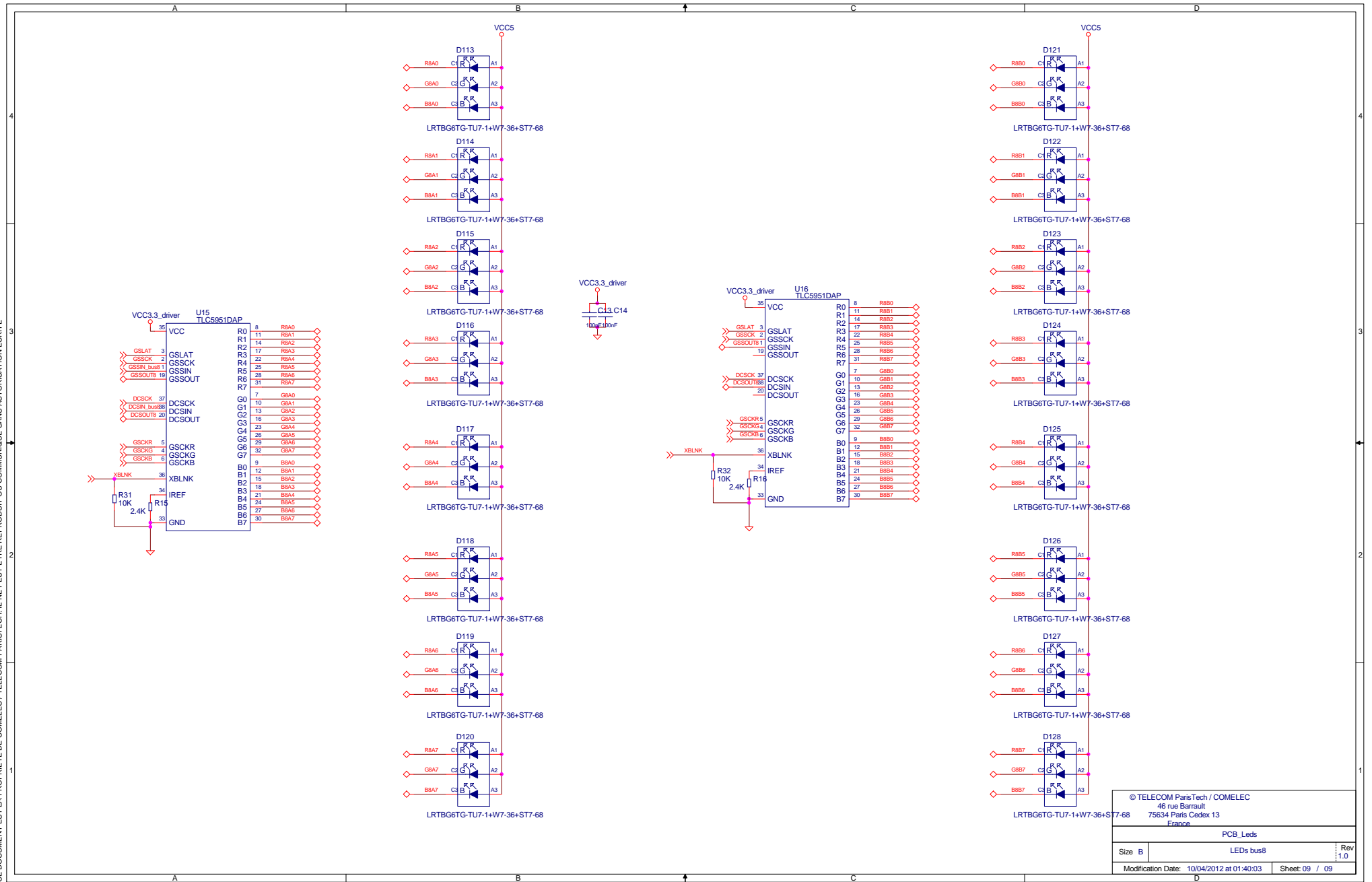
© TELECOM ParisTech / COMELEC 46 rue Barrault 75634 Paris Cedex 13 France		
PCB_Leds		
Size B	LEDs bus5	Rev : 1.0
Modification Date: 10/04/2012 at 01:40:03		Sheet: 06 / 09



© TELECOM ParisTech / COMELEC 46 rue Barrault 75634 Paris Cedex 13 France		
PCB_Leds		
Size B	LEDs bus6	Rev : 1.0
Modification Date: 10/04/2012 at 01:40:03		Sheet: 07 / 09



© TELECOM ParisTech / COMELEC 46 rue Barrault 75634 Paris Cedex 13 France		
PCB_Leds		
Size B	LEDs bus7	Rev : 1.0
Modification Date: 10/04/2012 at 01:40:03		Sheet: 08 / 09



© TELECOM ParisTech / COMELEC 46 rue Barrault 75634 Paris Cedex 13 France		
PCB_Leds		
Size B	LEDs bus8	Rev : 1.0
Modification Date: 10/04/2012 at 01:40:03		Sheet: 09 / 09